



PLDC-P1JS-FL-100

DC Power Lead Adapter

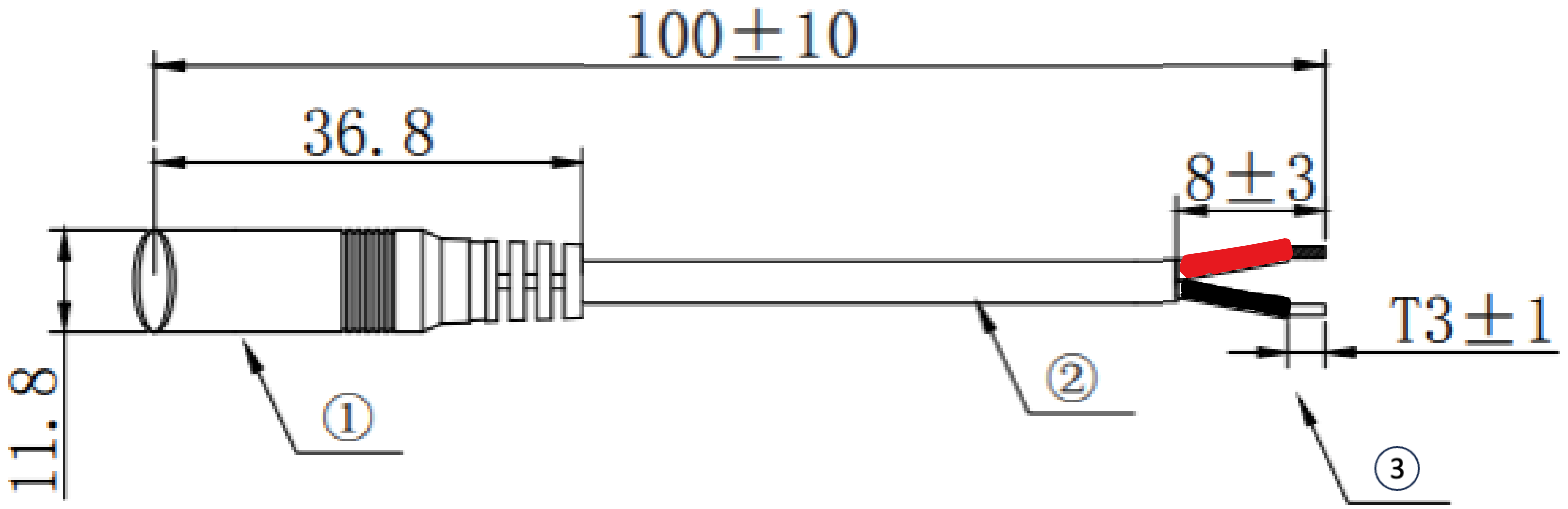
100% Functional Tested

RoHS Compliant



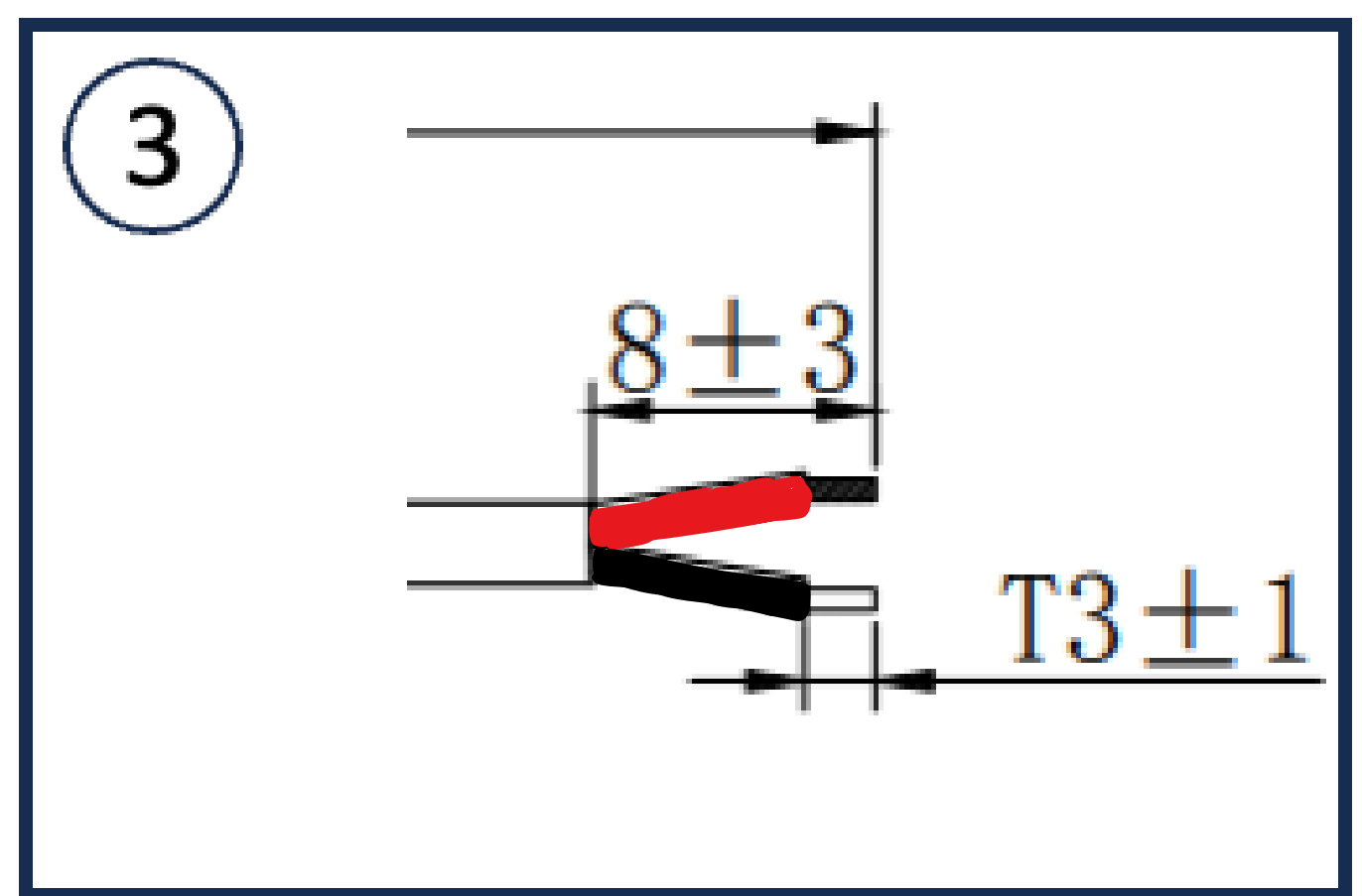
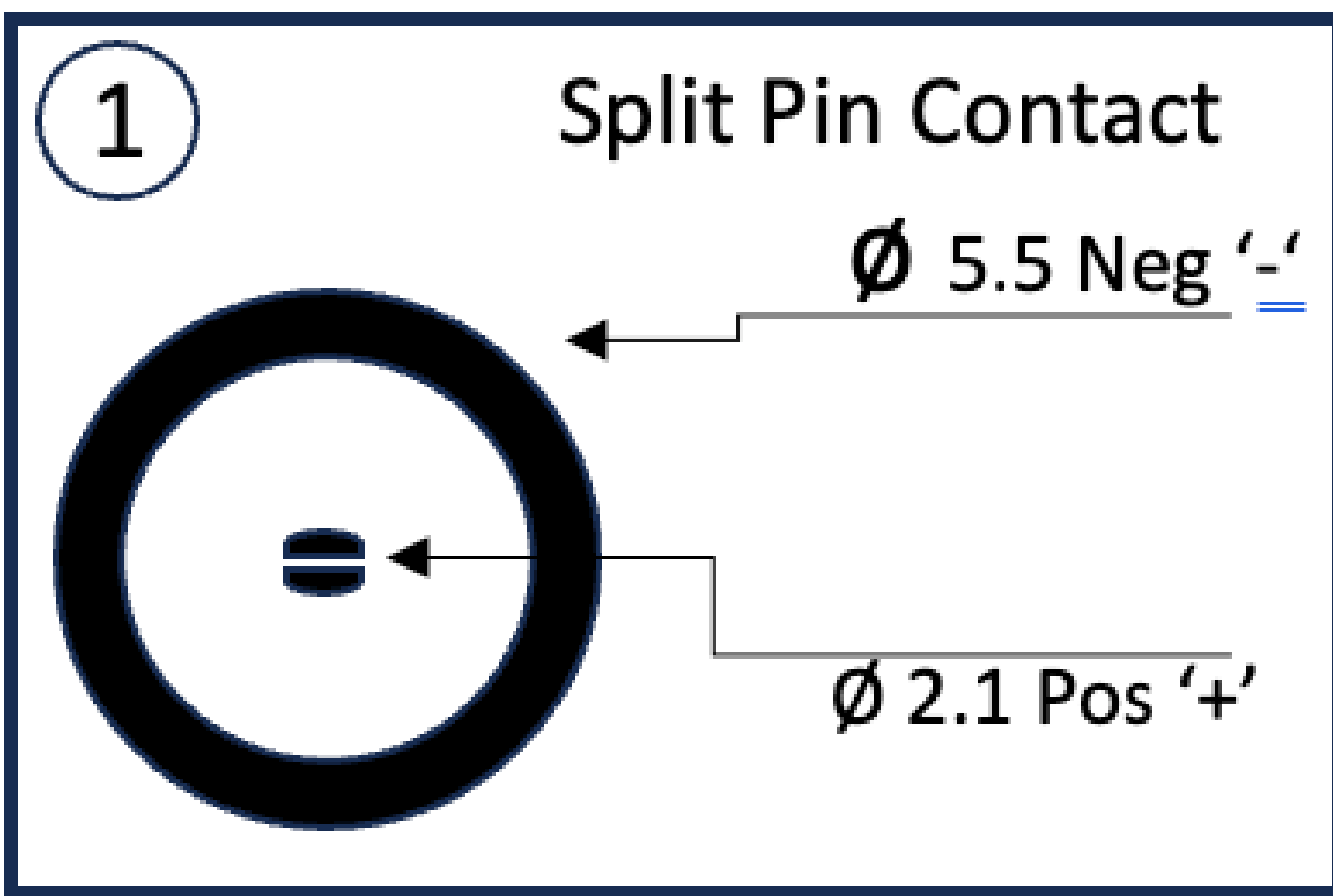
**1 YEAR
WARRANTY**

Cable Size	20AWG	Length	100mm
Connector A	2.1/5.5mm Socket	Connector B	Stripped & Tinned
Wire Colour	Black + Red	Barrel length	11±0.5
Insulation Resistance	10M Ω MIN / DV 300V / 10ms	Conducting Resistance	1 OHM Max
Max Rating	6A		



Connector A

Connector B



①	CONN	SPLIT PIN CONTACT FEMALE	1	PCS
②	CABLE	UL2464#20AWG*2C, BLACK PVC, L=100MM OD:4.0MM	100	MM