

**5 YEAR
WARRANTY**

60W
DALI-2
Slimline
LED Driver
with PWM
Output

Features of the:
LD2VP-60 Series

-  Constant Voltage PWM Output
-  AC Input Range: 200-240VAC with PFC
-  Protections:
 - Short Circuit
 - Over Load
 - Over Temperature
-  Class I Power Supply
-  IP66 Design For Outdoor Installation
-  Cooling by Free Air Convection
-  Factory Fitted Flex and Plug
-  DALI-2 Protocol IEC 62386

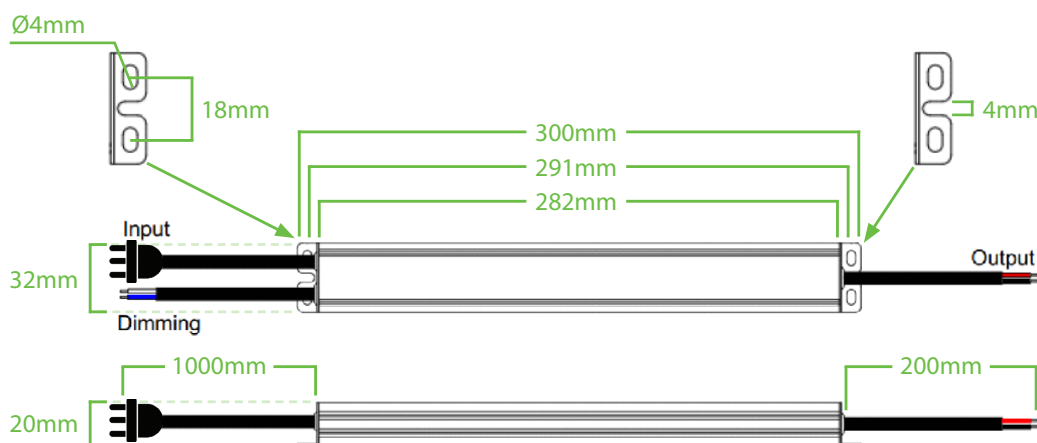


CE     IP66 SELV CB

Model		LD2VP-60-24
Output	DC voltage	24V
	Voltage tolerance	±0.5V (see Note 2.)
	Rated current	2.5A
	Rated power	60W
Input	Voltage range	200-240VAC
	Frequency range	47~63HZ
	Power factor	0.95 @ 230VAC
	Full load efficiency (Typ.)	88%
	AC current (Max.)	0.73 @ 100VAC
	Leakage current	<0.50mA
	Inrush current	34A (twidth=121us) @230VAC
	MAX. No. of drivers on 16A circuit breaker	9 units (circuit breaker of type B) / 16 units (circuit breaker of type C) at 230VAC
Protection	Short circuit	Hiccup mode, re-power on to recover after fault condition removed
	Over loading (Note 4.)	≤120% Hiccup mode, recovers automatically after fault condition is removed or shut down o/p voltage, re-power on to recover after fault condition removed
	Over temperature (Note 6.)	100°C±10°C shut down O/P voltage, automatically recovers after cooling
Environment	Working TEMP.	-40~+60°C (refer to de-rating curve)
	Working humidity	20~95%RH, non-condensing
	Storage TEMP, humidity	-40~+80°C, 10-95% RH
	TEMP. coefficient	±.03%/°C (0~50°C)
	Vibration	10-500Hz, 5G 10min./1 cycle, period for 60min, each along X, Y, Z axes
Safety & EMC	Safety standards	EN61347-1 EN61347-2-13 UL8750
	Withstand voltage	I/P-O/P: 3.75KVAC (EU) and I/P-O/P: 1.88KVAC (US)
	Isolation resistance	I/P-O/P: 100MΩ/500VDC/25°C/70%/RH
	EMC emissions (Note 3.)	Compliance to EN55015, EN61000-3-2 (≥60% load) (EU) and FCC Part 15 (US)
	EMC immunity	EN61000-4-2,3,4,5,6, 11, EN61547, light industry
Others	Net. weight	0.65kg
	Size	300*32*20mm (L*W*D)
	Packing	330*270*311mm/20PCS/CTN G.W: 14kg/ctn
Notes	<ol style="list-style-type: none"> All parameters NOT specially mentioned are measured at 230VAC input, rated load and 25°C of ambient temperature. Tolerance: Includes set up tolerance, line regulation and load regulation. The LED driver is considered as a component that is operated in conjunction with final equipment. EMC performance could be affected by the complete installation. Original equipment manufacturers may need to conduct additional EMC testing and certification on the final equipment. Loading range from 10% to 100%. Specifications are subject to change without prior notice. Contact your supplier to confirm any critical parameters. Reading taken at tc point marked on product label. 	

Input & Output Wiring

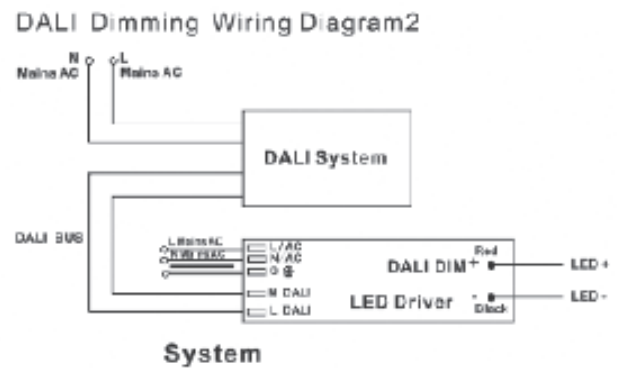
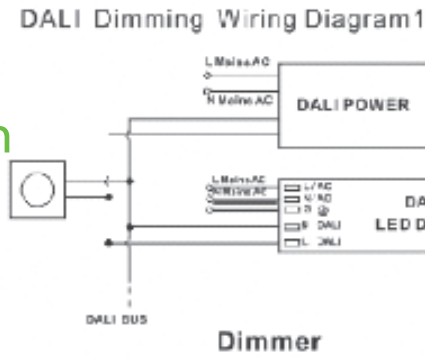
- Input:
1m AU Flex and Plug
- Output:
Rubber cable 2*1.0mm²
Red: (V+) Positive
Black: (V-) Negative
- Dimming:
Rubber cable 2*0.75mm²
Blue: DA
White: DA (non-polarised)



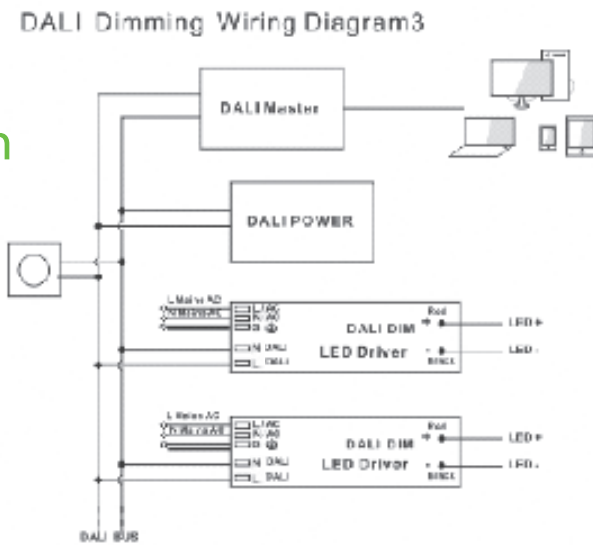
Mechanical Specification

Dimming Operation

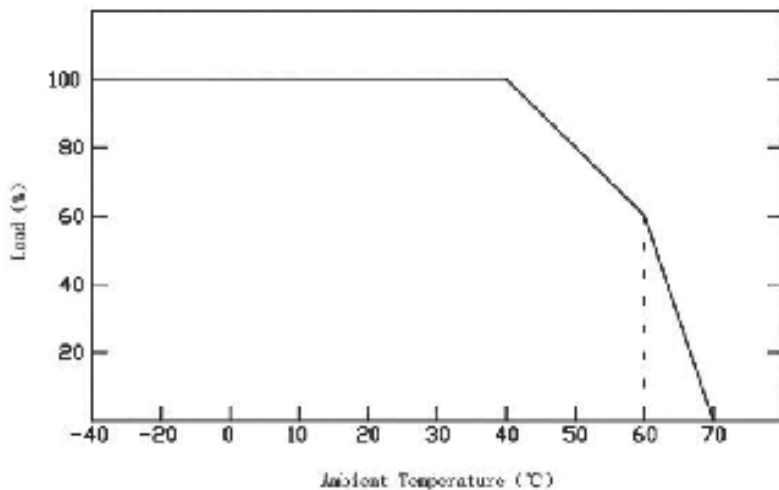
Single Driver Connection Diagram



Multiple Drivers Connection Diagram



De-Rating Curve



• If being used in higher ambient temperatures, ensure the load on the LED driver is de-rated in accordance with this chart. Failure to do so could lead to a premature failure, which is not covered by the warranty.



Important

- 1) Refer to Power Source Installation Manual.
- 2) Do Not Cover.
- 3) This LED driver should be installed by a qualified electrician.
- 4) Please make sure the LED driver is installed with adequate ventilation around it to allow for heat dissipation.
- 5) Ensure that all wiring is correct before testing in order to avoid damage to the LED driver, or the LEDs.