



## FT Series Wall Mount Enclosure with Gland Plate



### **C**onstruction

- Body: 1.2mm-1.5mm steel
- Door: 1.5mm-1.8mm steel
- Mounting Plate: 2.0mm galvanized steel
- With gland plate
- Right hand opening; door interchangeable
- Continuously welded seams
- Foam-in-place seamless gasket
- 120-degree opening heavy-duty industrial hinges
- Quarter-turn lock
- Pre-punched for mounting brackets
- Welded earth studs on body and door
- Earthing kit included



### **F**inish

- RAL 7035 outdoor powder coating

### **I**ndustry Standard

- IP66 rated according to IEC 60529
- RoHS Compliant
- REACH Compliant

### **C**ustomized Options

- Machining and pre cut-outs
- Custom door and body
- Special accessories
- Special colors
- Special dimensions
- Other modification please contact our sales team



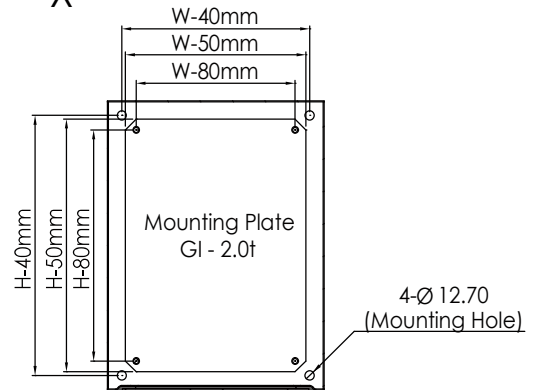
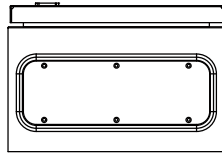
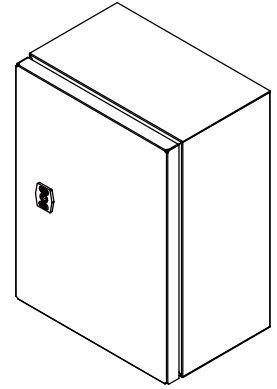
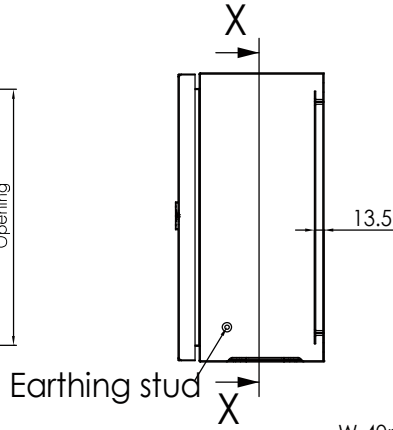
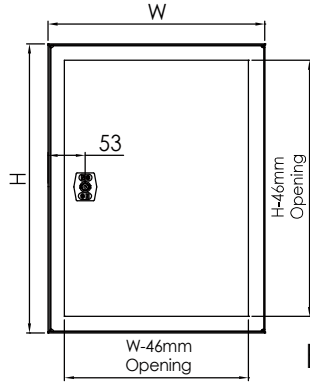
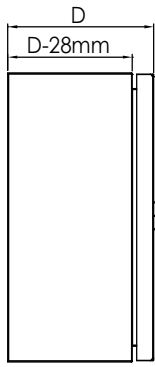
Catalogue		Dimension			Gland plate
NO.	Number	H(mm)	W(mm)	D(mm)	
1	FT 202015	200	200	150	ax1
2	FT 302015	300	200	150	ax1
3	FT 302515	300	250	150	ax1
4	FT 302520	300	250	200	ax1
5	FT 303015	300	300	150	bx1
6	FT 303020	300	300	200	bx1
7	FT 304015	300	400	150	ax2
8	FT 304020	300	400	200	cx1
9	FT 403015	400	300	150	bx1
10	FT 403020	400	300	200	bx1
11	FT 404020	400	400	200	cx1
12	FT 406020	400	600	200	dx1
13	FT 406025	400	600	250	dx1
14	FT 406030	400	600	300	dx1
15	FT 503015	500	300	150	bx1
16	FT 503020	500	300	200	bx1
17	FT 504015	500	400	150	ax2
18	FT 504020	500	400	200	cx1
19	FT 504025	500	400	250	cx1
20	FT 505020	500	500	200	cx1
21	FT 505025	500	500	250	cx1
22	FT 507020	500	700	200	dx1
23	FT 507025	500	700	250	dx1
24	FT 604020	600	400	200	cx1
25	FT 604025	600	400	250	cx1
26	FT 604030	600	400	300	cx1

Catalogue		Dimension			Gland plate
NO.	Number	H(mm)	W(mm)	D(mm)	
27	FT 605020	600	500	200	cx1
28	FT 605025	600	500	250	cx1
29	FT 606020	600	600	200	dx1
30	FT 606025	600	600	250	dx1
31	FT 606030	600	600	300	dx1
32	FT 606040	600	600	400	dx1
33	FT 608030	600	800	300	cx2
34	FT 705020	700	500	200	cx1
35	FT 705025	700	500	250	cx1
36	FT 806020	800	600	200	dx1
37	FT 806025	800	600	250	dx1
38	FT 806030	800	600	300	dx1
39	FT 808025	800	800	250	cx2
40	FT 808030	800	800	300	cx2
41	FT 1006020	1000	600	200	dx1
42	FT 1006025	1000	600	250	dx1
43	FT 1006030	1000	600	300	dx1
44	FT 1006040	1000	600	400	dx1
45	FT 1008025	1000	800	250	cx2
46	FT 1008030	1000	800	300	cx2
47	FT 1206020	1200	600	200	dx1
48	FT 1206030	1200	600	300	dx1
49	FT 1206040	1200	600	400	dx1
50	FT 1208030	1200	800	300	cx2

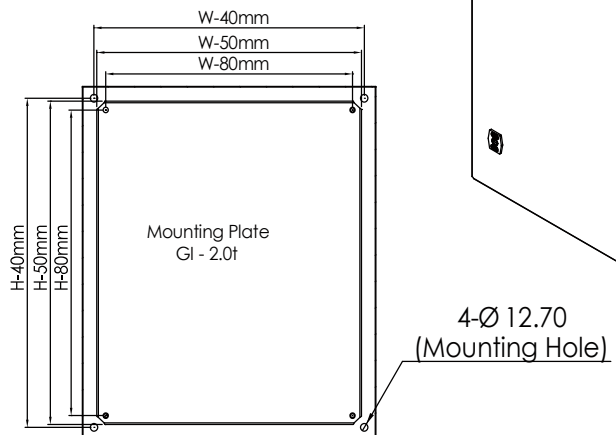
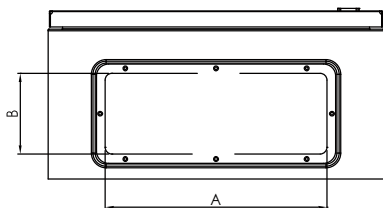
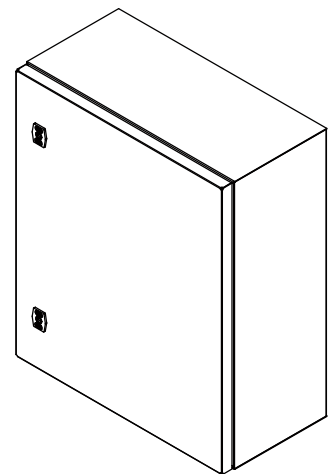
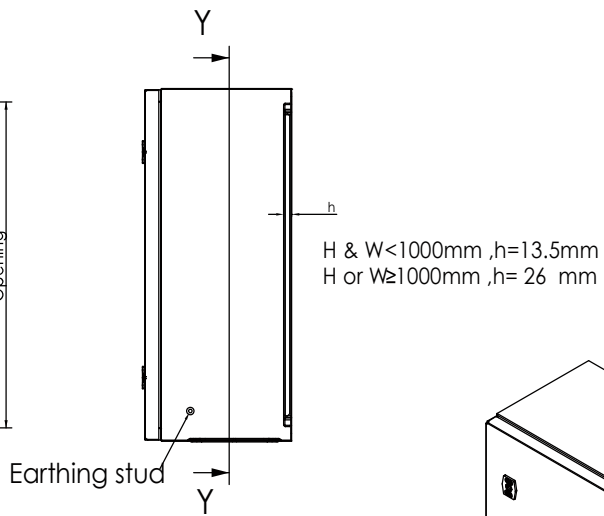
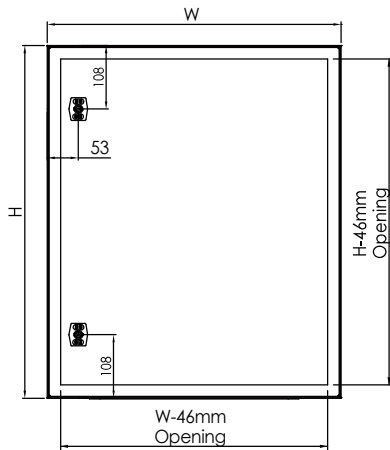
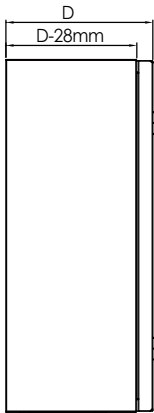
Catalogue		Dimension		
NO.	Number	H(mm)	W(mm)	D(mm)
51	FT-M	Custom Dimensions		

### Gland Plate Dimension

	A(mm)	B(mm)
a	130	60
b	230	60
c	330	120
d	530	120



Section View X-X



Section View Y-Y