

SLIMBOX PLUS LED MODULE



Features

- Powered by high output 3030 LED.
- Constant current.
- Batwing 160° optic lens.
- 20 pcs per string.
- CE, RoHS, UL, TUV, BIS, CB and LM-80 certified.

Application

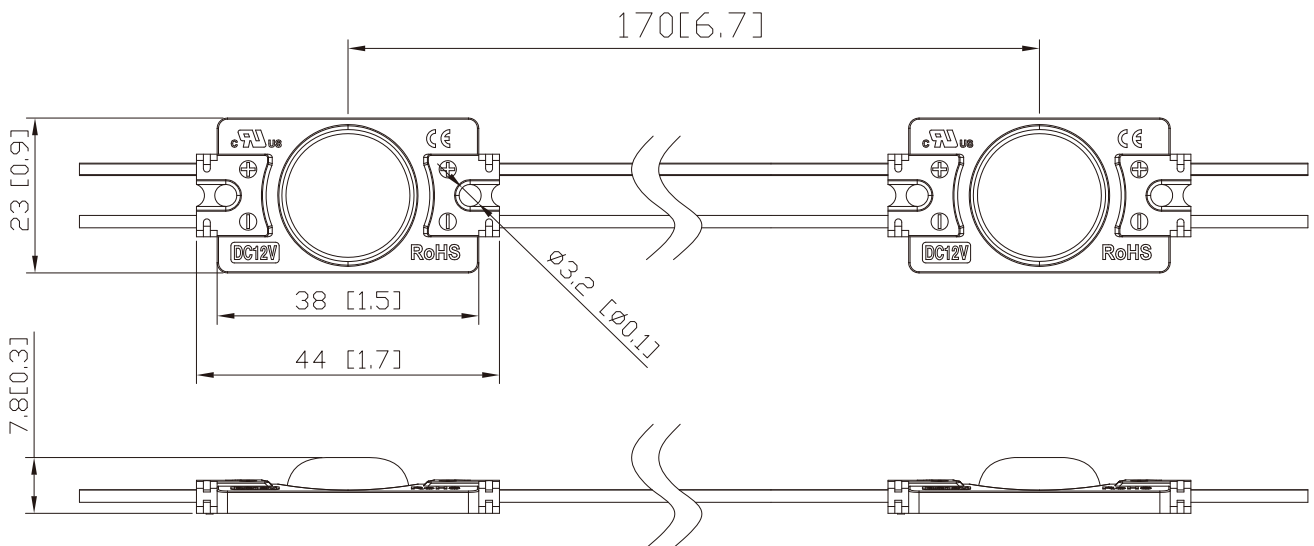
- Apply to 3.5–15cm depth single-sided light box at airports, metros, banks, buildings and shopping malls, etc.

Parameters

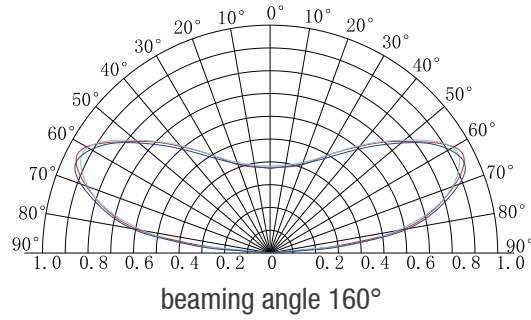
Items	Parameters
Part Number	ZF01BB2
CCT (K)	7000
Beaming Angle (°)	160°
CRI (Ra)	≥75
Luminous Flux (lm)	125
Voltage (V)	DC12
Power (W)	1.32
Driving Method	Constant Current
Dimension (mm)	44*23*7.8
Working Tem. (°C)	-25 ~ +60
Storage Tem. (°C)	-25 ~ +70
Protection Grade	IP66

Dimension

Unit: mm



Beaming Angle

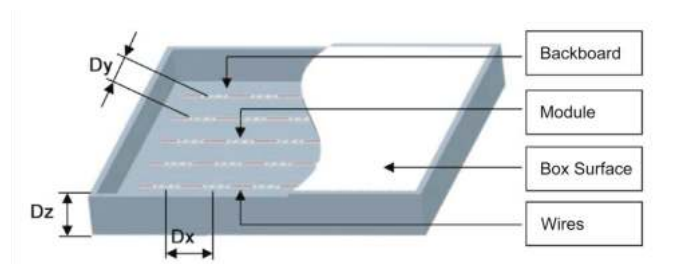


Reference Scheme

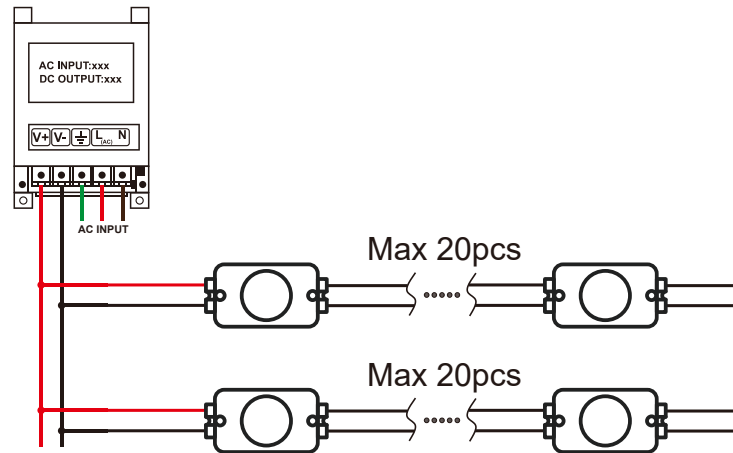
Part Number	Depth(mm)	Distance(mm)	Density(pcs/m ²)	Illumination(lux)
ZF01BB2	Dz=60	Dx=60 Dy=60	278	6500-6800
	Dz=80	Dx=80 Dy=80	139	3000-3500
	Dz=100	Dx=100 Dy=100	91	1800-2000
	Dz=120	Dx=130 Dy=120	64	1000-1300
	Dz=150	Dx=130 Dy=120	52	700-900

Remark :

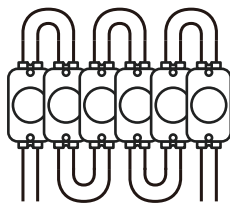
01. The transmittance of the advertising fabric was 32%.
02. The above data is for reference only.



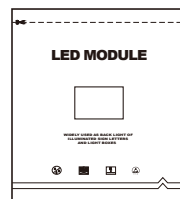
Wire Connection



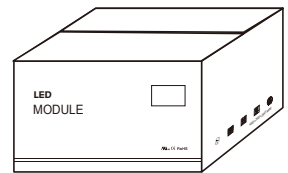
Packing



20 pcs per string



100 pcs in an anti-static bag



1500 pcs per carton

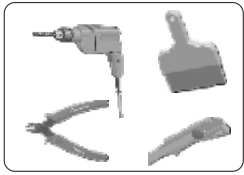
Packing Specification

- Antistatic bag adopted
- Packing information

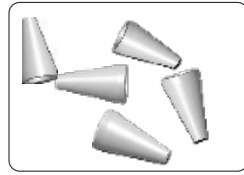
Part Number	ZF01BB2
Carton Dimension(mm)	490*450*220
Bags Per Carton	15
Quantity Per Carton(pcs)	1500
Net Weight(kg)	13.0(1±10%)
Gross Weight(kg)	14.1(1±10%)

Due to the packing manner difference, please adhere to the original products in case of discrepancy found between the picture and actual product.

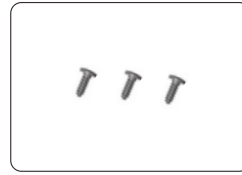
Self-provided tools & material



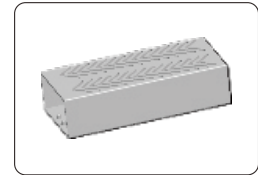
Dust brush, cutter, pencil, wire stripper, and drill



Wire Connector (Standard)

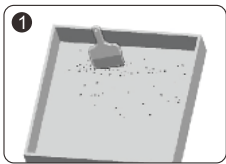


Screw

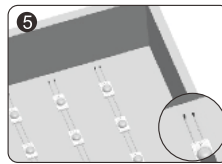


Power Supply

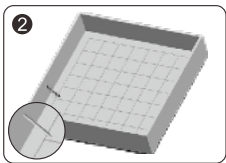
Installation Guidance



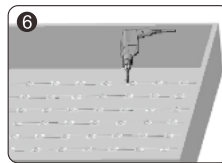
- Clean inside the light box.



- Strip the end wire for 10mm and cap with the wire connector. Waterproof and anti-corrosion must be done on the connectors.

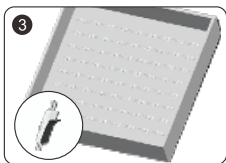


- Determine the appropriate layout.

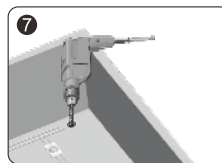


- Locate modules in the optimal position and secure with screws or neutral glass cement, which should be applied at the edge of the modules.

⚠ Note: Avoid breaking the module and wire when fixing with a drill.

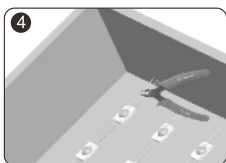


- Peel tape backing and stick modules into place.

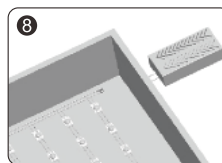


- Drill a hole for connecting power cable. Fixation and protection for the cable must be done on the hole.

⚠ Note: Avoid breaking the light box in drilling the hole.



- Remove the unneeded modules.
- ⚠ Note: Cut in the middle position of the wires between modules.



- Connect to the power cable and make sure that the polarity for connection is correct.

⚠ Note: Red wire is positive and black wire is negative.

Instructions

01. Disassembling or modifying the product is not allowed.
02. Installation with power on is not allowed.
03. Any organic solvent chemical is not allowed.
04. Acidic or alkaline adhesive is not allowed. when install, neutral glass cement could be used for installation purpose, make it drying in open environment for four hours.
05. Isolation and corrosion prevention on all wiring points and wire ends.
06. Make sure the power wire is thick enough and ensure the voltage and connections are connected correctly before power on.
07. This product should be used in a sign, do not expose it in opening site.
08. Installation, maintaining should be done by professional staff.
09. 20 pcs in a serial connection maximum.
10. The power wire between power supply and module should be less than two meters to keep the same brightness on all parts.
11. Initial location with 3M tape, then secure with screws.

Declaration

01. Warranty: 3 years.
02. In order to ensure the safety, the broken wires need to be replaced by the manufacturer or the service agent, or by the staff with the similar qualification.
03. The given data in the specification was based on the laboratory testing, there may be discrepancy found in the actual products.
04. The given drawings in the specification are only for reference, there may be discrepancy found in the actual products.
05. The products are subject to change without prior notification.



SHENZHEN LINGBENYANG IND. CO., LTD.

Tel: +86-755-83544570 E-mail: info@lbyled.com Http://: www.lbyled.com
Company Address.: 28F, Luban Building, Hongli West Road, Futian District, Shenzhen 518034, China
Factory Address: 3F, 4F and 6F, Buiding A&B Xinyongfeng Industrial Area, Yingrenshi Village,
Shiyan Town, Bao'an District, Shenzhen 518108, China